



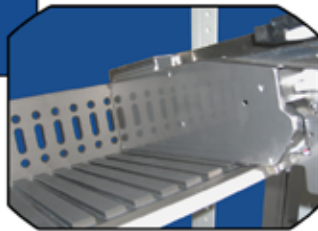
Fuji Feeder Storage Carts

XP1, XP2, XP-F, NXT and AIMEX Series

FUJI FEEDER
STORAGE CARTS



**Cart Shown with
XP Feeders**



AGI's model 206 cart is a flexible and modular design that efficiently stores up to (37) 8mm feeders per shelf. The cart frame features mounting holes that accommodate removable tooled feeder shelves for all your XP, NXT and AIMEX series machines. The removable tooling is based upon our robust, machined Aluminum plate so it will last a lifetime. You can position the feeder bar flat, on an incline or on a decline to best fit your needs. The cart also accommodates many of our job kitting options.

FEATURES AND BENEFITS

- ◆ Accommodates up to 3 adjustable shelves for XP, NXT or AIMEX series machines. Shelves bolt on 2" centers.
- ◆ Easy feeder load/unload, slide in and out.
- ◆ Feeders are completely enclosed within cart frame to prevent damage or banging.
- ◆ Machined tooling from 3/8" Aluminum plate, hard anodized for long life.
- ◆ Feeders supported per manufacturer's specifications.
- ◆ Rugged 1" Square box tube, welded steel construction for stability.
- ◆ Performa cushion ride conductive swivel casters 5" diameter, with locks.
- ◆ Baked epoxy painted textured finish, Cream.



**Cart Shown with
NXT/AIMEX Tooling**

AGI Corporation

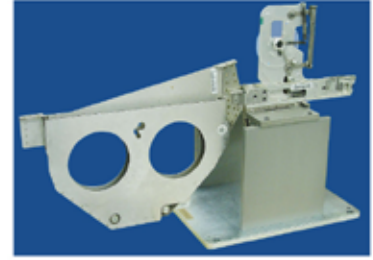
www.AGInc.com - info@AGInc.com

177 Nick Fitchard Road • Huntsville, AL 35806 • (256) 858-3300 • Fax: (256) 858-3304

Options For Fuji Carts



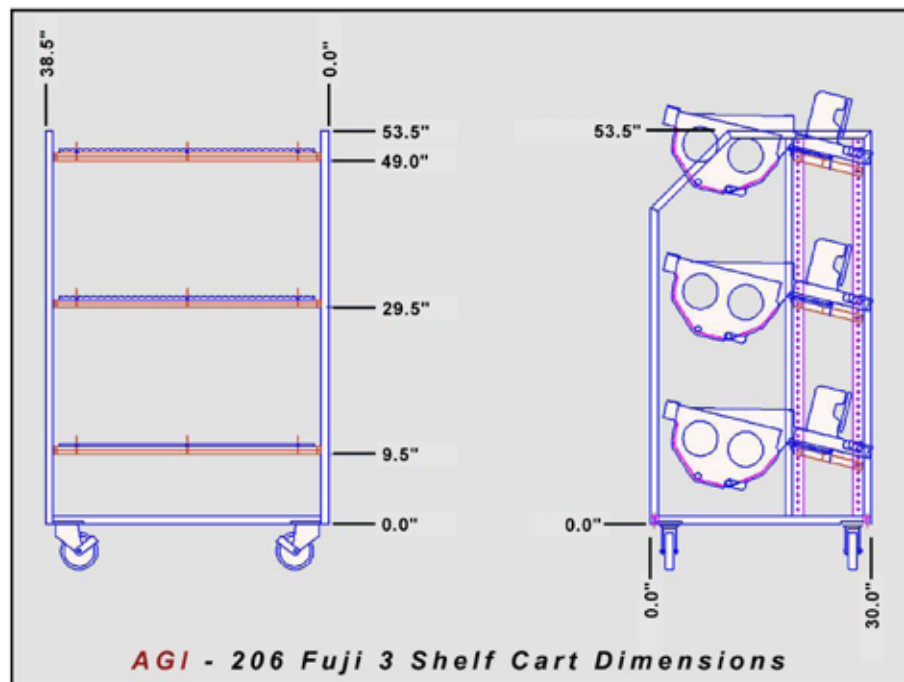
Reel Storage



Benchtop
Setup
Fixture

CART OPTIONS:

50-00174	Feeder Storage Shelf XP-F, NXT and AIMEX	37 Slots for 8 or 12mm feeders on .938" centers. Machined Aluminum, Hard Anodized plate.
50-00163	Feeder Storage Shelf XP1 and XP2	37 Slots for 8 or 12mm feeders on .938" centers. Machined Aluminum, Hard Anodized plate.
50-00101	Reel Storage Shelf	Accommodates 7" - 15" diameter Reels with removable wire dividers
50-00050	Benchtop Set Up Fixture	12" x 7" x 12" tall, Handles 2 Feeders



AGI Corporation

www.AGInc.com - info@AGInc.com

177 Nick Fitchard Road • Huntsville, AL 35806 • (256) 858-3300 • Fax: (256) 858-3304